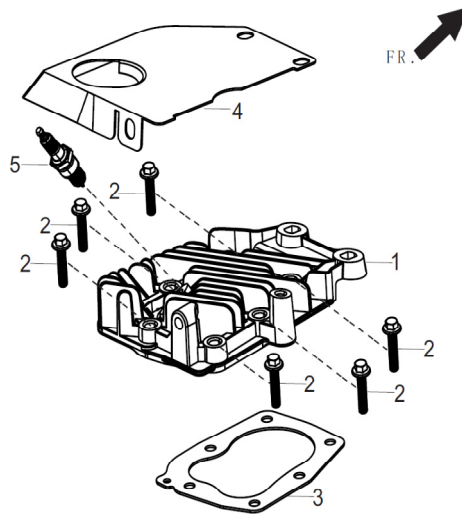


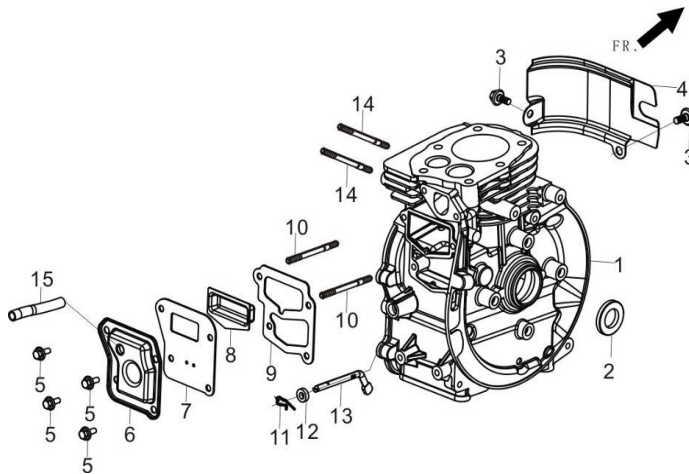
ESPLOSO RICAMBI MOTORE EHRS100

FIG.1 CYLINDER HEAD / PLUG,SPARK (E04)

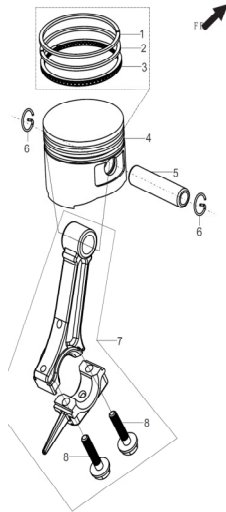


REF.NO.	PART NO	DESCRIPTION	Q'TY
E04-1	12140-Z450210-0000	HEAD SUBASSEMBLY, CYLINDER	1
E04-2	90001-0635-01	BOLT	6
E04-3	12131-Z450110-0000	GASKET, CYLINDER HEAD	1
E04-4	12014-Z450220-0000	CYLINDER HAED SHROUD	1
E04-5	30010-Z020120-0000	PLUG, SPARK	1

FIG.2 CRANKCASE ASSY. (E17)

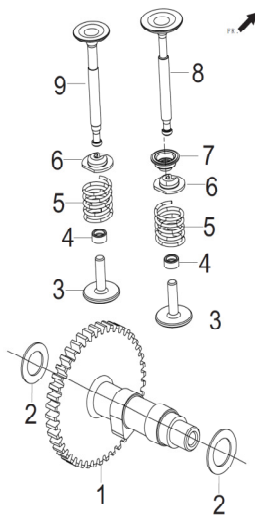


REF.NO.	PART NO	DESCRIPTION	Q'TY
E17-1	11310-Z450210-0000	CRANKCASE SUBASSEMBLY.	1
E17-2	90682-Z510110-0000	SEAL, OIL	1
E17-3	90001-0612-01	BOLT	2
E17-4	19304-Z450210-0000	SHROUD, CYLINDER BODY	1
E17-5	90001-0510-01	BOLT	4
E17-6	11302-Z450110-0000	OUTER CASE	1
E17-7	11303-Z450110-0000	WASHER	1
E17-8	11301-Z450210-0000	WASHER, INNER CASE	1
E17-9	11304-Z450110-0000	GASKET	1
E17-10	90204-Z450110-0000	STUD	2
E17-11	90501-Z450110-0000	PIN	1
E17-12	90412-Z450210-0000	WASHER, FLAT	1
E17-13	16061-Z450110-0000	ARM, GOVERNOR	1
E17-14	90203-Z450110-0000	STUD	2
E17-15	17004-Z450110-0000	TUBE, BREATHER	1



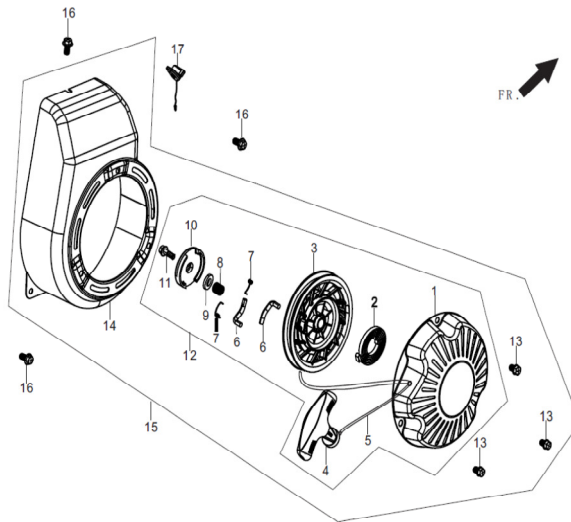
REF.NO.	PART NO	DESCRIPTION	Q'TY
E04-1	13201-Z450110-0000	RING, THE FIRST	1
E04-2	13202-Z450110-0000	RING, THE SECOND	1
E04-3	13210-Z450110-0000	RING SET, OIL	1
	28985	PISTON RING SET	1
E04-4	13111-Z450110-0000	PISTON	1
E04-5	13121-Z450110-0000	PIN, PISTON	1
E04-6	13122-Z450110-0000	CLIP, PISTON PIN	2
E04-7	13010-Z450110-0000	ROD, CONNECTING	1

FIG.6 TRAIN, VALVE / CAMSHAFT SUBASSEMBLY (E05)



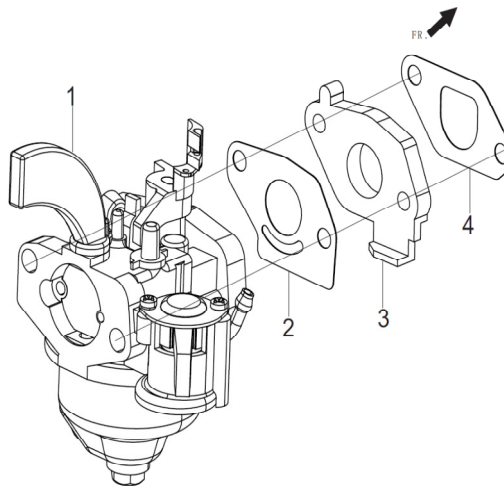
REF.NO.	PART NO	DESCRIPTION	Q'TY
E04-1	14200-Z450110-0000	CAMSHAFT ASSY.	1
E04-2	90412-Z450110-0000	WASHER, FLAT	2
E04-3	14081-Z450120-0030	TAPPET, VALVE	2
E04-4	12104-Z450110-0000	ROTATOR, VALVE	2
E04-5	12103-Z450110-0000	SPRING, VALVE	2
E04-6	12112-Z450110-0000	SEAT, VALVE SPRING	2
E04-7	12101-Z450110-0000	GUIDE, SEAL	1
E04-8	12111-Z450110-0000	VALVE, INTAKE	1
E04-9	12121-Z450110-0000	VALVE, EXHAUST	1

FIG.7 STARTER,RECOIL (E08)



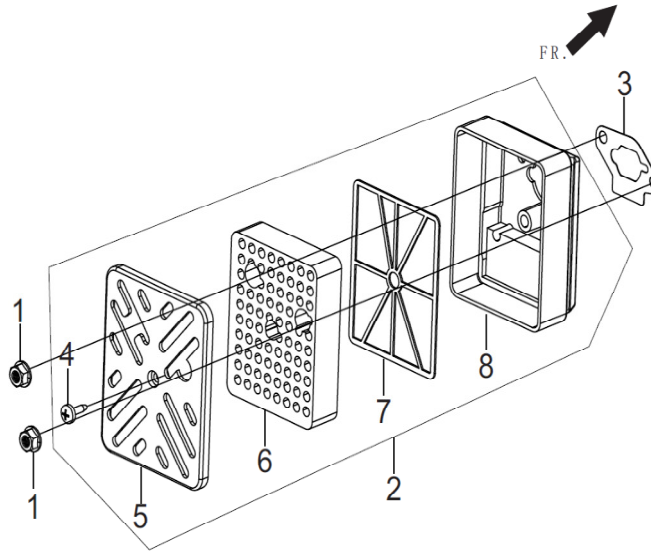
REF.NO.	PART NO	DESCRIPTION	Q'TY
E08-12	28200-Z450110-H700	STARTER ASSY, RECOIL	1
E08-13	90001-0608-01	BOLT	3
E08-14	28110-Z450110-H700	SHROUD	1
E08-16	90001-0612-01	BOLT	3
E08-17	35540-Z060220-QG00	SWITCH SUBASSEMBLY, STOP ENGINE	1

FIG.9 CARBURETOR ASSY. (E11)



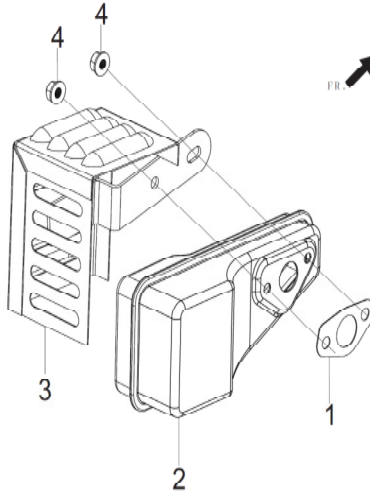
REF.NO.	PART NO	DESCRIPTION	Q'TY
E11-1	16100-Z450210-0000	CARBURETOR ASSY.	1
E11-2	16001-Z450120-0000	GASKET, CARBURETOR	1
E11-3	16003-Z450110-0000	PLATE, CARBURETOR INSULATOR	1
E11-4	17002-Z450120-0000	GASKET, INLET	1

FIG.10 CLEANER, AIR (F02)



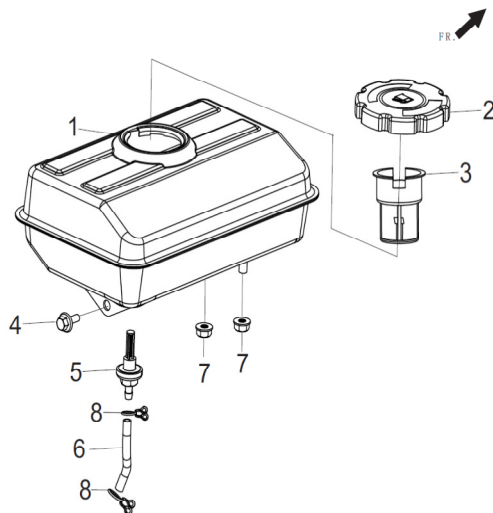
REF.NO.	PART NO	DESCRIPTION	Q'TY
E04-1	90305-0500-31	BOLT	2
E04-2	17100-Z450220-0000	CLEANER, AIR	1
E04-3	17001-Z450120-0000	GASKET, AIR CLEANER	1
E04-6	17151-Z450210-0000	ELEMENT, AIR CLEANER	1

FIG.11 MUFFLER ASSY. (F04)



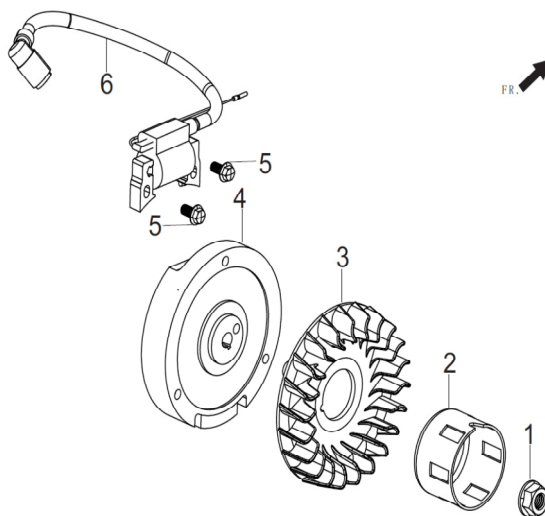
REF.NO.	PART NO	DESCRIPTION	Q'TY
F04-1	18001-Z450110-0000	GASKET, EXHAUST OUTLET	1
F04-2	18160-Z450210-0000	MUFFLER BODY	1
F04-3	18013-Z450210-QA00	MUFFLER SHIELD	1
F04-4	90305-0600-31	NUT	2

FIG.12 TANK ASSY, FUEL (F01)



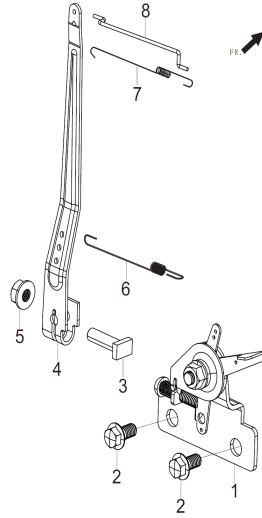
REF.NO.	PART NO	DESCRIPTION	Q'TY
F01-1	16620-Z450210-H700	TANK, FUEL	1
F01-2	16730-Z300120-0000	COVER, FUEL TANK	1
F01-3	16652-Z450110-0000	STRAINER, FUEL	1
F01-4	90001-0612-01	BOLT	1
F01-5	16680-Z010110-0000	OUTLET SUBASSEMBLY, FUEL TANK OIL	1
F01-6	90686-Z450210-0000	TUBE, FUEL	1
F01-7	90305-0600-31	NUT	2
F01-8	90740-Z010210-0000	COLLAR	2

FIG.13 FLYWHEEL / IMPELLER / STARTER PULLEY / IGNITION COIL (E15)



REF.NO.	PART NO	DESCRIPTION	Q'TY
E15-1	13501-Z510110-0000	NUT, FLYWHEEL	1
E15-2	28002-Z450110-0000	PULLEY, STARTER	1
E15-3	19352-Z450110-0000	IMPELLER	1
E15-4	13510-Z450120-0000	FLYWHEEL SUBASSEMBLY	1
E15-5	90001-0625-01	BOLT	2
E15-6	30400-Z450110-0000	COIL, IGNITION	1

FIG.14 CONTROL ASSY, THROTTLE (E13)



REF.NO.	PART NO	DESCRIPTION	Q'TY
E13-1	16520-Z450210-0000	CONTROL ASSY, THROTTLE	1
E13-2	90001-0612-01	BOLT	2
E13-3	16072-Z010110-0000	BOLT, GOVERNOR SUPPORT	1
E13-4	16070-Z450110-0000	SUPPORT SUBASSEMBLY, GOVERNOR	1
E13-5	90305-0600-31	NUT	1
E13-6	16063-Z450110-0000	SPRING, GOVERNOR	1
E13-7	16012-Z450110-0000	SPRING, THROTTLE VALVE RETURNING	1
E13-8	16062-Z450110-0000	ROD, GOVERNEOR	1