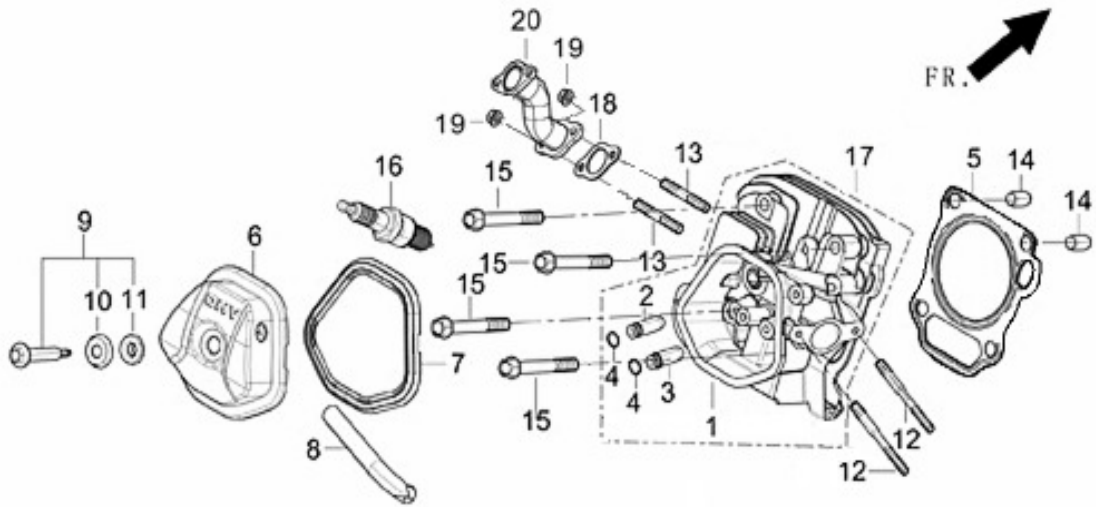


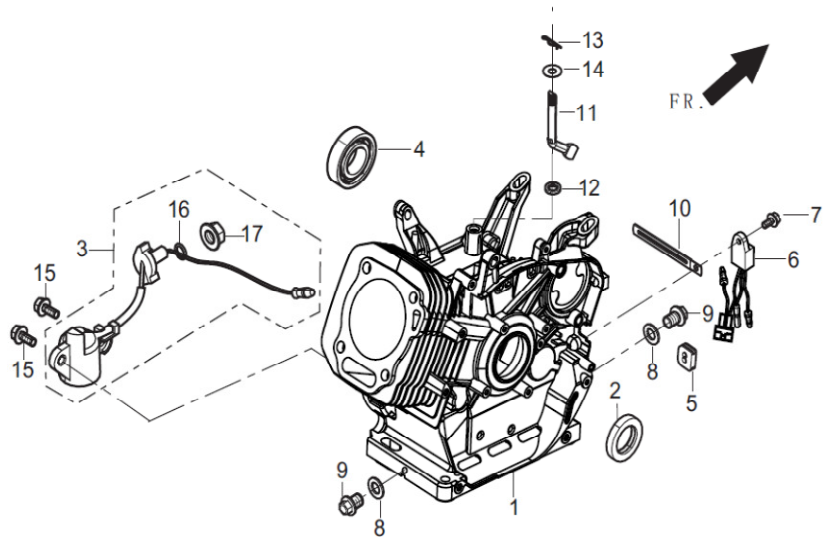
POWERSMART G6000E

FIG.1 HEAD SUBASSEMBLY, CYLINDER / PLUG,SPARK (E04)



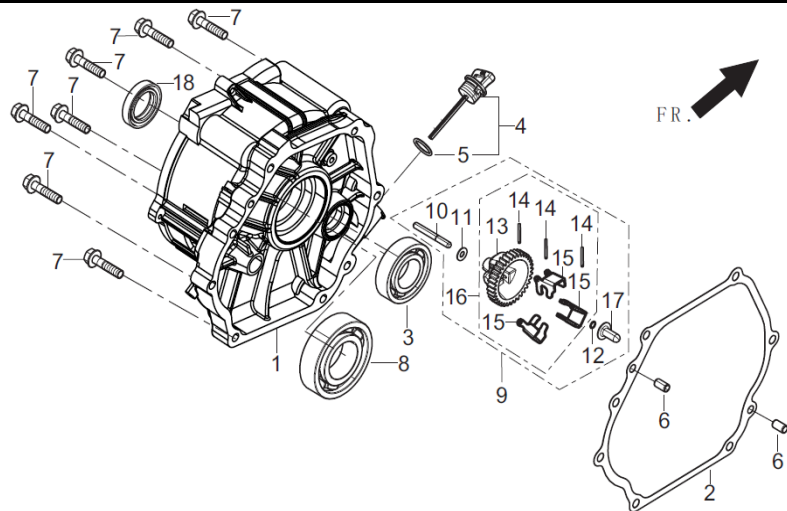
REF.NO.	PART NO	DESCRIPTION	Q'TY	UNIT PRICE
E04-5	12131-Z190110-0000	GASKET, CYLINDER HEAD	1	
E04-6	12410-Z310110-0000	COVER SUBASSEMBLY, CYLINDER HEAD	1	
E04-7	12004-Z080110-0000	GASKET, CYLINDER HEAD COVER	1	
E04-8	17004-Z080110-0000	TUBE, BREATHER	1	
E04-9	12030-Z310110-0000	BOLT SUBASSEMBLY, CYLINDER HEAD COVER	1	
E04-12	90204-Z100110-0000	STUD	2	
E04-13	90203-Z010110-0000	STUD	2	
E04-14	90502-1220-00	PIN	2	
E04-15	12003-Z080110-0000	BOLT, CYLINDER HEAD	4	
E04-16	30010-Z010110-0000	PLUG, SPARK	1	
E04-17	12140-Z190110-0000	HEAD SUBASSEMBLY, CYLINDER	1	
E04-18	18001-Z080110-0000	GASKET, EXHAUST OUTLET	1	
E04-19	90303-0800-31	NUT	2	
E04-20	18150-Z100210-0000	PIPE, EXHAUST	1	

FIG.2 CRANKCASE. (E01)



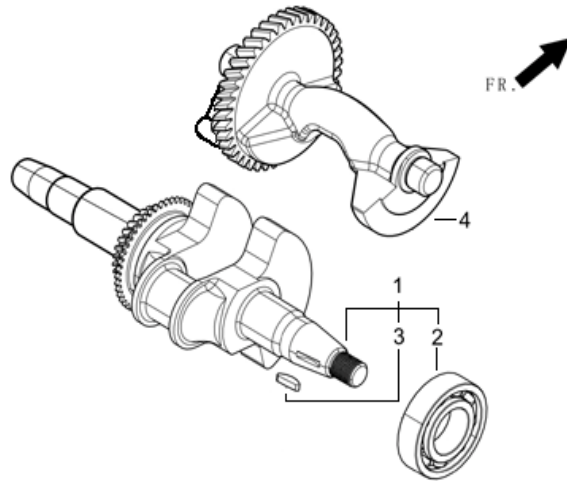
REF.NO.	PART NO	DESCRIPTION	Q'TY	UNIT PRICE
E01-1	11310-Z190410-0000	CRANKCASE SUBASSEMBLY.	1	
E01-2	90682-Z310110-0000	SEAL, OIL	1	
E01-3	37060-Z080110-0000	SENSOR, ENGINE OIL	1	
E01-4	90547-0202-00	BEARING	1	
E01-5	28101-Z080110-0000	PLUG, RUBBER	1	
E01-6	37050-Z010310-0000	PROTECTOR, OIL	1	
E01-7	90001-0612-01	BOLT	1	
E01-8	90412-Z080110-0000	WASHER, FLAT	2	
E01-9	11007-Z080110-0000	BOLT, DRAIN PLUG	2	
E01-10	90684-Z030120-0000	CLIP	1	
E01-11	16061-Z100110-0000	ARM, GOVERNOR	1	
E01-12	90682-Z100210-0000	SEAL, OIL	1	
E01-13	90501-Z010110-0000	PIN	1	
E01-14	90412-Z080210-0000	WASHER, FLAT	1	
E01-15	90001-0616-01	BOLT	2	

FIG.3 COVER SUBASSEMBLY, CRANKCASE / GEAR ASSY, GOVERNOR (E16)



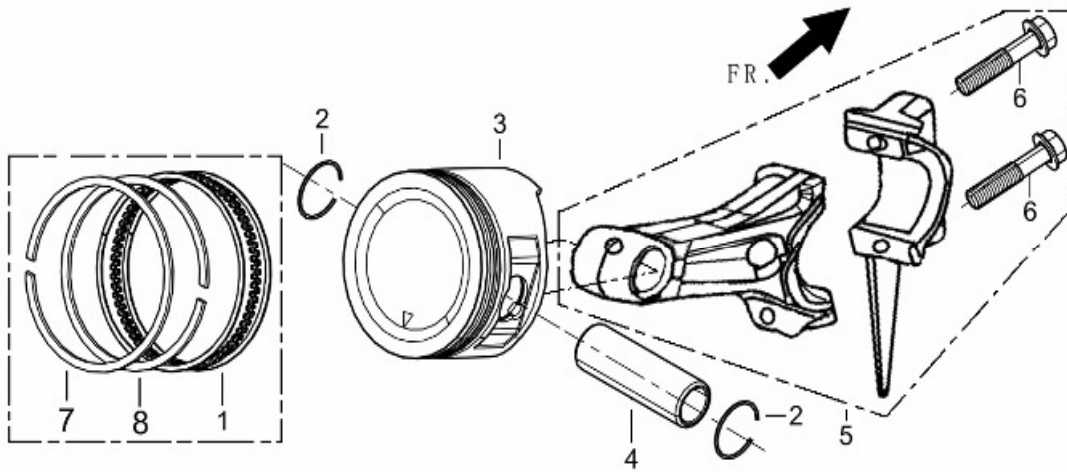
REF.NO.	PART NO	DESCRIPTION	Q'TY	UNIT PRICE
E16-1	11411-Z100610-0000	COVER, CRANKCASE	1	
E16-2	11001-Z100210-0000	GASKET, CRANKCASE	1	
E16-3	90548-0202-00	BEARING	1	
E16-4	15010-Z080320-Q500	DIPSTICK SUBASSEMBLY, OIL	1	
E16-6	90502-0812-00	PIN	2	
E16-7	90001-0840-01	BOLT	7	
E16-8	90547-0207-00	BEARING	1	
E16-9	16400-Z100110-0000	GEAR ASSY, GOVERNOR	1	
E16-18	90682-Z310110-0000	SEAL, OIL	1	

FIG.4 ROD,CRANKSHAFT CONNETING (E03)



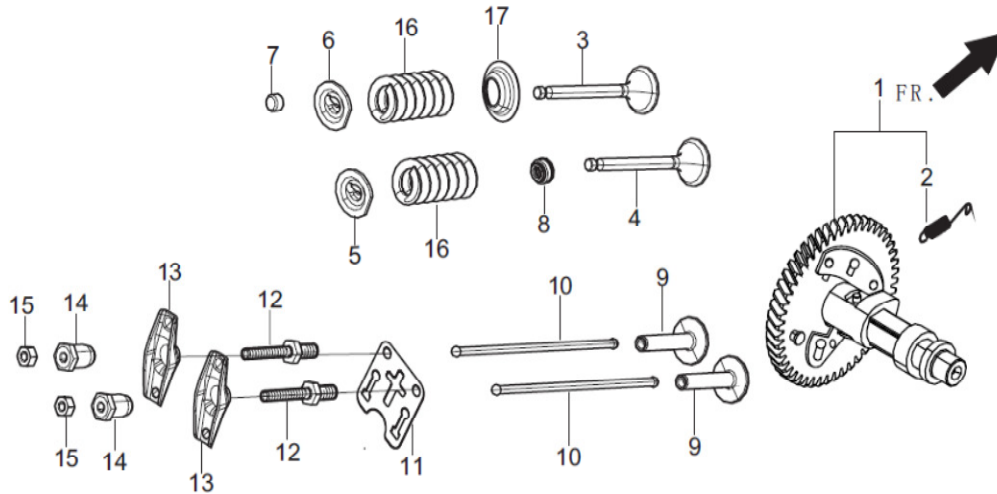
REF.NO.	PART NO	DESCRIPTION	Q'TY	UNIT PRICE
E03-1	13300-Z190110-0000	CRANKSHAFT ASSY.	1	
E03-4	13400-Z190110-0000	SHAFT ASSY, BALANCING	1	

FIG.5 RING SET,OIL / ROD,CRANKSHAFT CONNETING (E03)



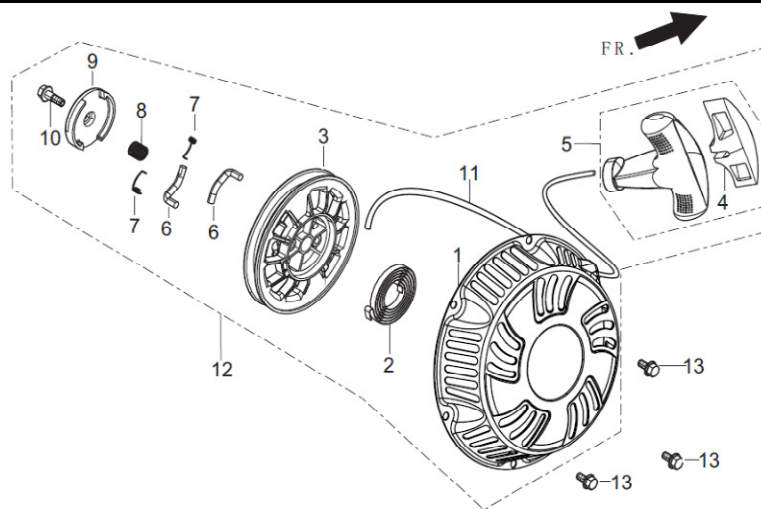
REF.NO.	PART NO	DESCRIPTION	Q'TY	UNIT PRICE
E03-1	13210-Z190110-0000	RING SET, OIL	1	
E03-2	13122-Z100110-0000	CLIP, PISTON PIN	2	
E03-3	13111-Z190110-0000	PISTON	1	
E03-4	13121-Z100110-0000	PIN, PISTON	1	
E03-5	13010-Z190110-0000	ROD, CONNECTING	1	
E03-7	13201-Z190110-0000	RING, THE FIRST	1	
E03-8	13202-Z190110-0000	RING, THE SECOND	1	
		PISTON RING SET	1	

FIG.6 TRAIN,VALVE / CAMSHAFT SUBASSEMBLY (E05)



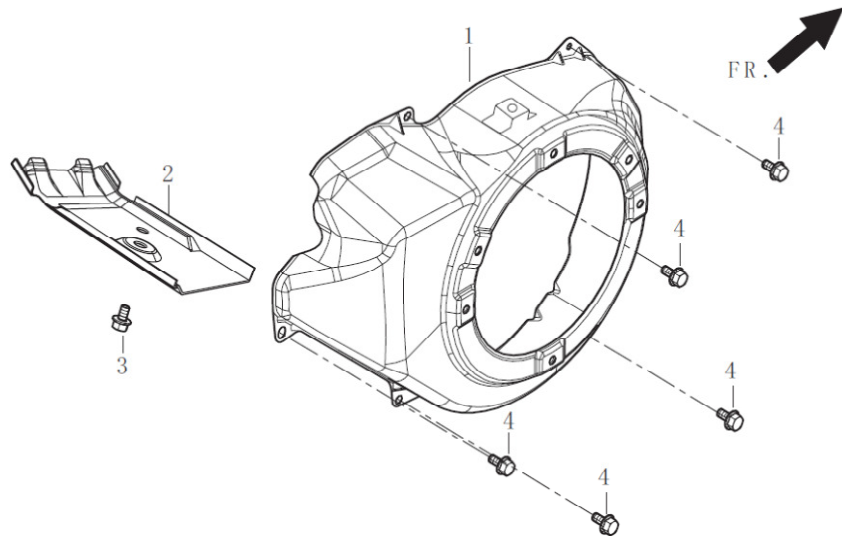
REF.NO.	PART NO	DESCRIPTION	Q'TY
E05-1	14200-Z190120-0000	CAMSHAFT ASSY.	1
E05-3	12121-Z190110-0000	VALVE, EXHAUST	1
E05-4	12111-Z190110-0000	VALVE, INTAKE	1
E05-5	12112-Z080110-0000	SEAT, VALVE SPRING	1
E05-6	12107-Z080110-0000	RETAINER, EXHAUST VALVE	1
E05-7	12104-Z080110-0000	R0TATOR, VALVE	1
E05-8	12101-Z080110-0000	GUIDE, SEAL	1
E05-9	14081-Z080110-0000	TAPPET, VALVE	2
E05-10	14070-Z100110-0000	LIFTER SUBASSEMBLY, VALVE	2
E05-11	14090-Z080110-0000	PLATE SUBASSEMBLY, LIFTER STOPPER	1
E05-12	14313-Z010110-0000	BOLT, VALVE ADJUSTING	2
E05-13	14311-Z080110-0000	ROCKER, VALVE	2
E05-14	14314-Z010110-0000	NUT, VALVE ADJUSTING	2
E05-15	14312-Z010110-0000	NUT, VALVE LOCK	2
E05-16	12103-Z080110-0000	SPRING, VALVE	2
E05-17	12105-Z080110-0000	RETAINER, VALVE SPRING	1

FIG.7 STARTER,RECOIL (E08)



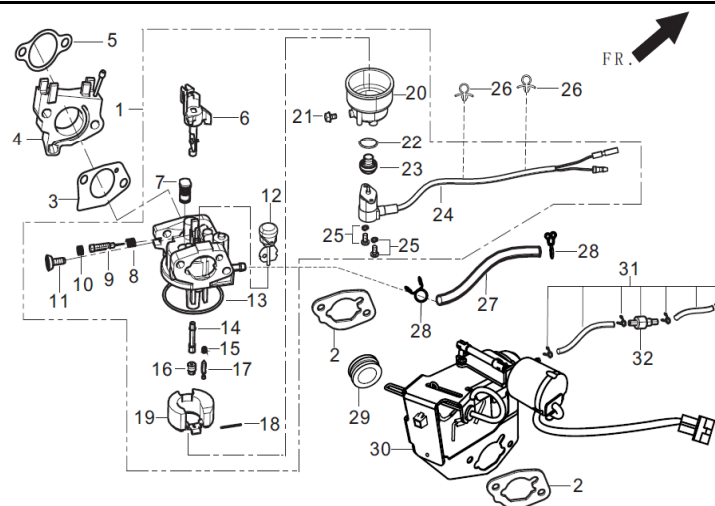
REF.NO.	PART NO	DESCRIPTION	Q'TY	UNIT PRICE
E08-12	28200-Z101210-H700	STARTER ASSY, RECOIL	1	
E08-13	90001-0608-01	BOLT	3	

FIG.8 SHROUD / SHIELD,LOWER (E14)



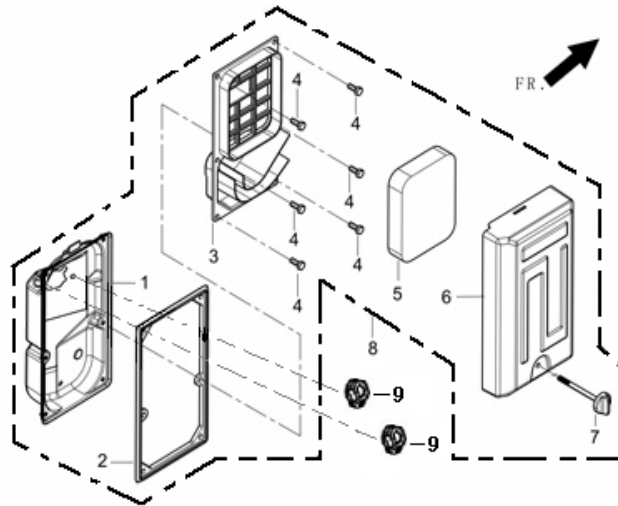
REF.NO.	PART NO	DESCRIPTION	Q'TY
E14-1	28110-Z310110-Y100	SHROUD	1
E14-2	19304-Z110110-0000	SHROUD, CYLINDER BODY	1
E14-3	90001-0612-01	BOLT	1
E14-4	90001-0612-01	BOLT	5

FIG.9 CARBURETOR ASSY. (E11)



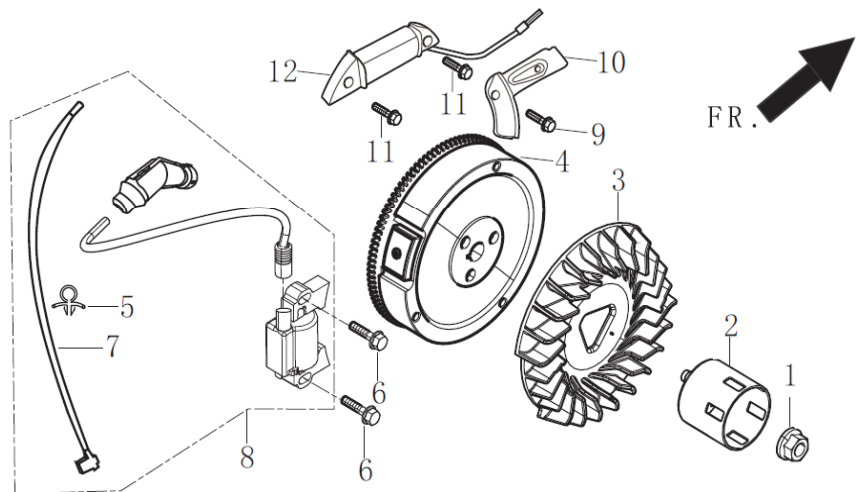
REF.NO.	PART NO	DESCRIPTION	Q'TY	UNIT PRICE
E11-1	16100-Z190510-0000	CARBURETOR ASSY.	1	
E11-2	17001-Z080110-0000	GASKET, AIR CLEANER	2	
E11-3	16001-Z100110-0000	GASKET, CARBURETOR	1	
E11-4	16003-Z100210-0000	PLATE, CARBURETOR INSULATOR	1	
E11-5	17002-Z100110-0000	GASKET, INLET	1	
E11-26	90684-Z030210-0000	CLIP	2	
E11-27	90686-Z080610-0000	TUBE, FUEL	1	
E11-28	90740-Z010210-0000	COLLAR	2	
E11-29	17005-Z080110-0000	SLEEVE, BREATHER TUBE FIXING	1	
E11-30	16900-Z100210-0000	CONTROL ASSY, CHOKE	1	
E11-31	15150-Z080110-0000	VALVE, ONE WAY	1	

FIG.10 CLEANER, AIR (E11)



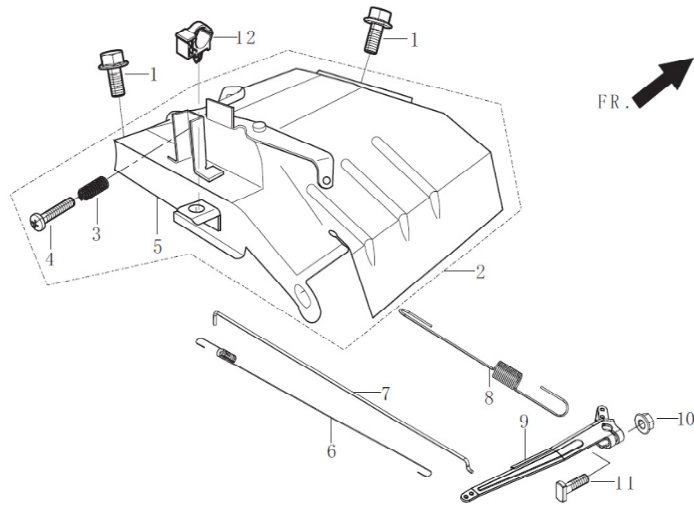
REF.NO.	PART NO	DESCRIPTION	Q'TY	UNIT PRICE
F02-5	29013	CLEANER ELEMENT	1	
F02-8	17100-Z100210-0000	CLEANER, AIR	1	
F02-9	90305-0600-31	NUT	2	

FIG.11 FLYWHEEL / IMPELLER / STARTER PULLEY / IGNITION COIL (E15)



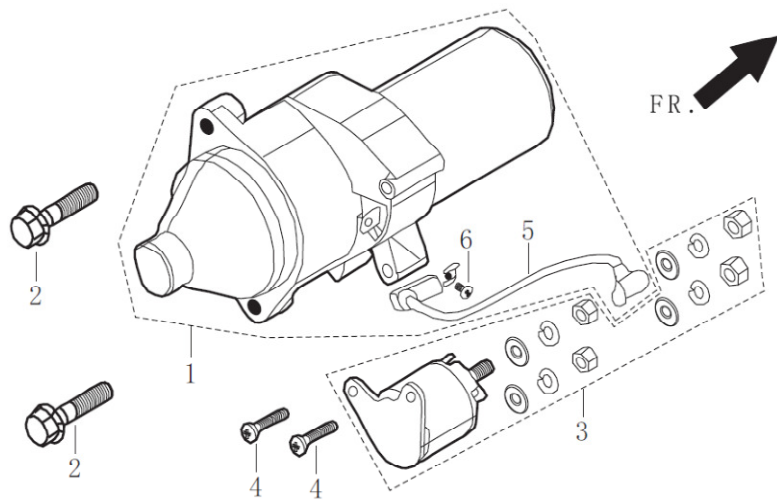
REF.NO.	PART NO	DESCRIPTION	Q'TY	UNIT PRICE
E15-1	13501-Z080110-0000	NUT, FLYWHEEL	1	
E15-2	28002-Z100210-0000	PULLEY, STARTER	1	
E15-3	19352-Z100110-0000	IMPELLER	1	
E15-4	13510-Z190120-0000	FLYWHEEL SUBASSEMBLY	1	
E15-6	90001-0628-01	BOLT	2	
E15-8	30400-Z190210-0000	COIL, IGNITION	1	
E15-9	90001-0610-01	BOLT	1	
E15-10	30001-Z170110-0000	CLAMP, CHARGE COIL	1	
E15-11	90001-0628-01	BOLT	2	
E15-12	30140-Z160210-0000	COIL SUBASSEMBLY, CHARGE	1	

FIG.12 CONTROL ASSY, THROTTLE (E13)



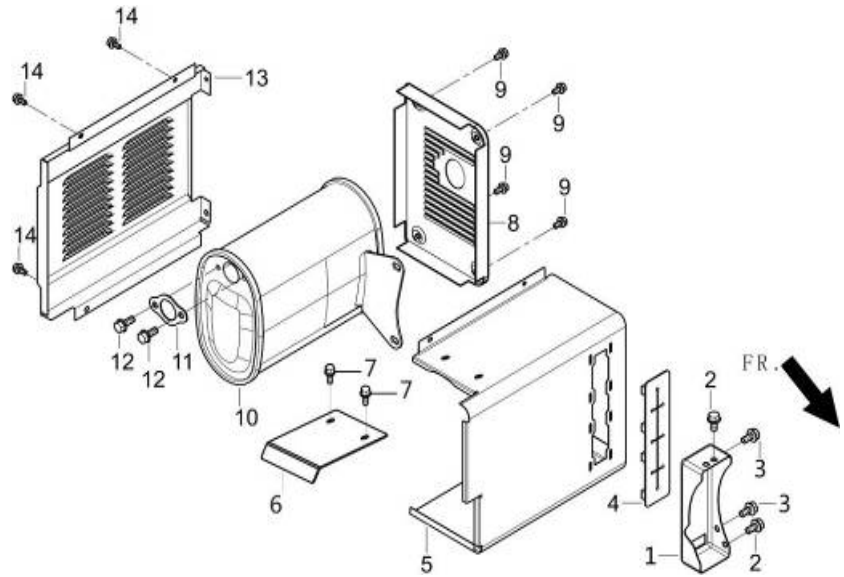
REF.NO.	PART NO	DESCRIPTION	Q'TY	UNIT PRICE
E13-1	90001-0612-01	BOLT	2	
E13-2	16520-Z100220-0000	CONTROL ASSY, THROTTLE	1	
E13-6	16012-Z080110-0000	SPRING, THROTTLE VALVE RETURNING	1	
E13-7	16062-Z100110-0000	ROD, GOVERNEOR	1	
E13-8	16063-Z100310-0000	SPRING, GOVERNOR	1	
E13-9	16070-Z100110-0000	SUPPORT SUBASSEMBLY, GOVERNOR	1	
E13-10	90305-0600-31	NUT	1	
E13-11	16072-Z010110-0000	BOLT, GOVERNOR SUPPORT	1	
E13-12	90740-Z010110-0000	COLLAR	1	

FIG.13 MOTOR ASSY, STARTING.(E15)



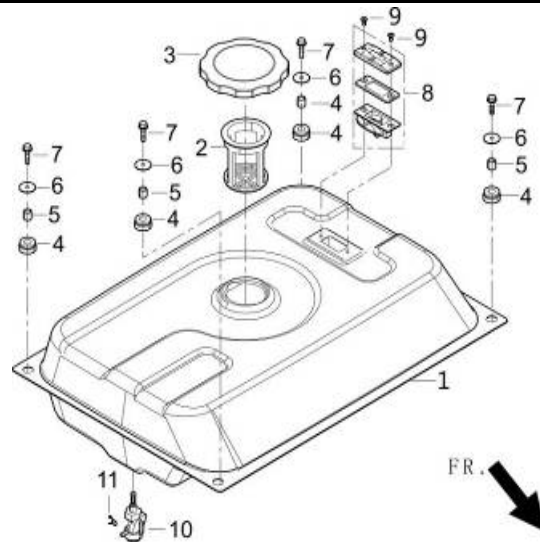
REF.NO.	PART NO	DESCRIPTION	Q'TY	UNIT PRICE
E15-1	09000-Z170110-0000	MOTOR, STARTING	1	
E15-2	90001-0835-01	BOLT	2	
E15-3	30500-Z160110-0000	RELAY, STARTING	1	
E15-4	90001-0516-01	BOLT	2	

FIG.14 MUFFLER ASSY. 消声器 (F04)



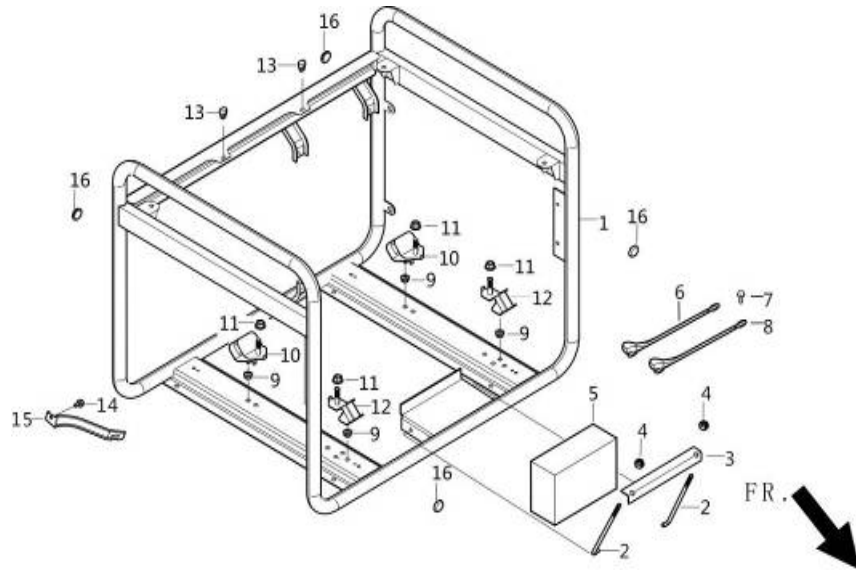
REF.NO.	PART NO	DESCRIPTION	Q'TY	UNIT PRICE
F04-1	18030-Y030110-0000	BRACKET,MUFFLER	1	
F04-2	90001-0816-01	BOLT	2	
F04-3	90001-0816-03	BOLT	2	
F04-4	18005-Y030120-0000	CUSHION, MUFFLER INSULATOR RUBBER	1	
F04-5	18003HY030110-H300	COVER, MUFFLER INNER	1	
F04-6	18105-Y030110-H300	PLATE,INNER COVER GUIDE	1	
F04-7	90007-0612-A3	BOLT	2	
F04-8	18002-Y030110-H300	COVER, MUFFLER SIDE	1	
F04-9	90007-0612-A3	BOLT	4	
F04-10	18100-Y240110-0000	MUFFLER ASSY.	1	
F04-11	18001-Z080110-0000	GASKET, EXHAUST OUTLET	1	
F04-12	90001-0830-03	BOLT	2	
F04-13	18130-Y030110-H300	COVER, MUFFLER OUTER	1	
F04-14	90007-0612-A3	BOLT	3	

FIG.15 TANK, FUEL (F01)



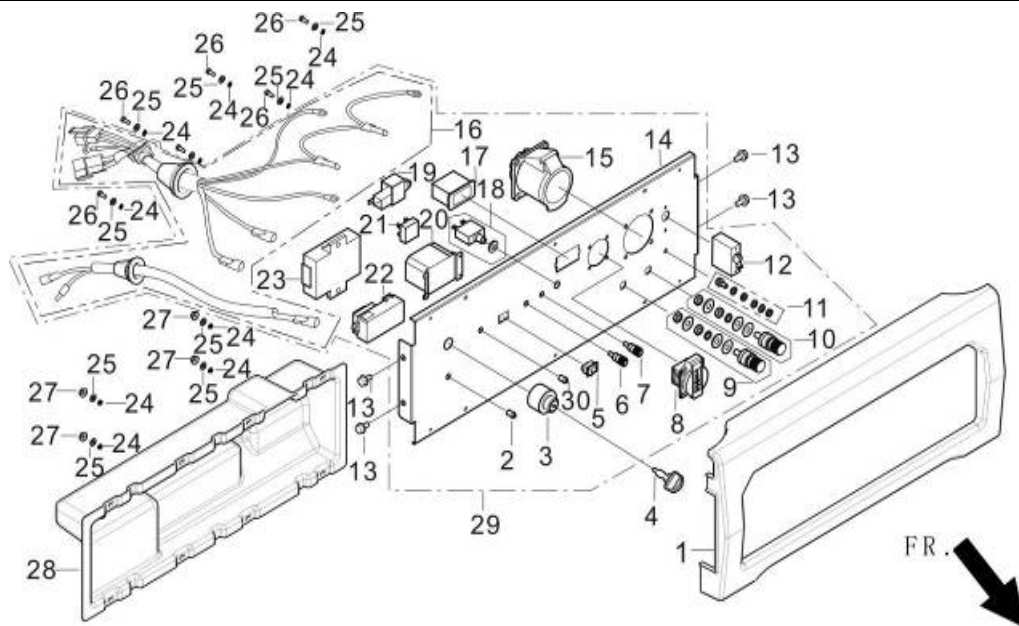
REF.NO.	PART NO	DESCRIPTION	Q'TY	UNIT PRICE
F01-1	16620-Y030120-Y100	TANK, FUEL	1	
F01-2	16652-Y020120-0000	STRAINER, FUEL	1	
F01-3	16730-Y020210-0000	COVER, FUEL TANK	1	
F01-4	16601-Y020120-0000	SLEEVE, FUEL TANK RUBBER	4	
F01-5	90683-Y020110-0000	BUSH	4	
F01-6	90408-Y020110-0000	WASHER	4	
F01-7	90007-0625-A3	BOLT	4	
F01-8	37200-Y020120-H300	LEVELER ASSY, OIL	1	
F01-9	90104-0512-53	SCREW	2	
F01-10	16750-Y020110-0000	COCK ASSY, FUEL	1	
F01-11	90740-Z010210-0000	COLLAR	1	

FIG.16 FRAME, ENGINE (F61)



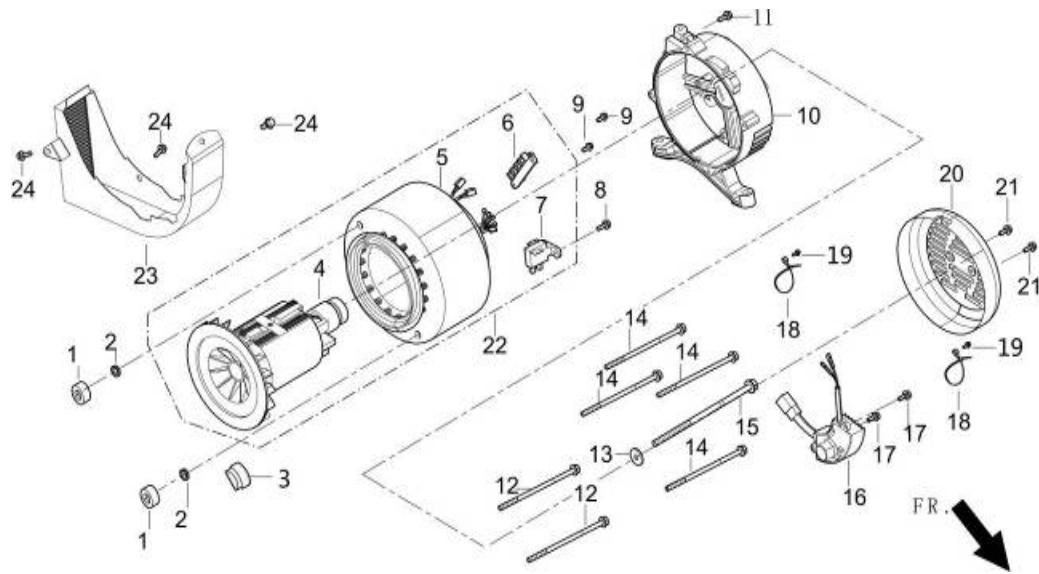
REF.NO.	PART NO	DESCRIPTION	Q'TY	UNIT PRICE
F61-1	51100-Y240410-QC00	FRAME ASSY, ENGINE	1	
F61-2	31151-Y030120-0000	BOLT, BATTERY	2	
F61-3	31142-Y030120-QC00	CLAMP, BATTERY	1	
F61-4	90305-0600-33	NUT	2	
F61-5	31110-Y030210-0000	BATTERY	1	
F61-6	31112HY130210-0000	WIRE, ANODE	1	
F61-7	90007-0612-A1	NUT	1	
F61-8	31114HY130110-0000	WIRE, CATHODE	1	
F61-9	90305-0800-31	NUT	4	
F61-10	51012HY030120-0000	CUSHION, ENGINE FRAME REAR	2	
F61-11	90306-1000-31	NUT	4	
F61-12	51005HY030120-0000	CUSHION, ENGINE FRAME	2	
F61-13	16602-Y020130-0000	GASKET, FUEL TANK RUBBER	2	
F61-14	90305-0600-33	NUT	1	
F61-15	17003-Y030110-0000	SUPPORT, ATR CLEANER	1	
F61-16	90722-Y020110-0000	PLUG, END	4	

FIG.17 PANEL SUBASSEMBLY, CONTROL (F62)



REF.NO.	PART NO	DESCRIPTION	Q'TY	UNIT PRICE
4-1	35680-Y030120-Q200	SEAT, PANEL	1	
4-2	37018-Y900110-0000	INDICATOR LIGHT	1	
4-3	35160-Y030710-0000	SWITCH SUBASSEMBLY	1	
4-4	35552-Y030110-0000	KEY, STOP ENGINE SWITCH	1	
4-5	35000-Y240110-0000	SWITCH, CONTROL	1	
4-8	35614-Y020110-0000	SOCKET SUBASSEMBLY, POWER SUPPLY	1	
4-11	35629-Y020110-0000	TERMINAL SUBASSEMBLY, GROUNDING	1	
4-12	35645-Y240110-0000	BREAKER, SINGLE-POLE CIRCUIT	1	
4-13	90007-0612-A3	BOLT	4	
4-15	35614-Y510110-0000	SOCKET SUBASSEMBLY, POWER SUPPLY	1	
4-17	35632-Y110310-0000	TIMER	1	
4-18	31234-Y020110-0000	PROTECTOR, OVERCURRENT	1	
4-19	35621-Y020110-0000	BRIDGE, RECTIFICATION	1	
4-21	35621-Y020110-0000	BRIDGE, RECTIFICATION	1	
4-24	90408-0400-E1	WASHER, FLAT	10	
4-25	90403-0400-01	WASHER	10	
4-26	90106-0410-51	SCREW	6	
4-27	90305-0400-71	NUT	4	
4-28	35601-Y030120-Q200	CASE, PANEL REAR	1	
4-29	35610-Y242710-Y100	PANEL SUBASSEMBLY, CONTROL	1	

FIG.18 ROTOR/STATOR (F63)



REF.NO.	PART NO	DESCRIPTION	Q'TY	UNIT PRICE
F63-1	31317-Y030110-0000	NUT, STATOR	2	
F63-2	90403-0500-03	WASHER	2	
F63-3	30023-Y030120-0000	STOPPER, MOTOR RIGHT COVER	1	
F63-6	31303HY020110-0000	BLOCK, TERMINAL	1	
F63-7	31320-Y030120-0000	BRUSH SUBASSEMBLY, CARBON	1	
F63-8	90001-0516-01	BOLT	1	
F63-9	90001-0514-01	BOLT	2	
F63-10	30021-Y030110-0000	BRACKET, MOTOR	1	
F63-11	90001-0512-01	BOLT	1	
F63-12	31316-Y240120-0000	BOLT, STATOR	2	
F63-13	90408-Y030110-0000	WASHER, FLAT	1	
F63-14	30048-Y240120-0000	BOLT, STATOR	4	
F63-15	30049-Y240120-0000	BOLT, ROTOR	1	
F63-16	30060-Y030120-0000	REGULATOR, VOLTAGE	1	
F63-17	90001-0516-01	BOLT	2	
F63-18	90727-Y020110-0000	BAND	2	
F63-19	90001-0516-01	BOLT	2	
F63-20	30022-Y030110-Y100	COVER, MOTOR TAIL	1	
F63-21	90001-0512-03	BOLT	2	
F63-22	31300-Y240510-0000	MOTOR ASSY.	1	
F63-23	30024-Y030110-0000	SHROUD, MOTOR	1	
F63-24	90001-0512-01	BOLT	3	